

4

3

2

1

A

A

B

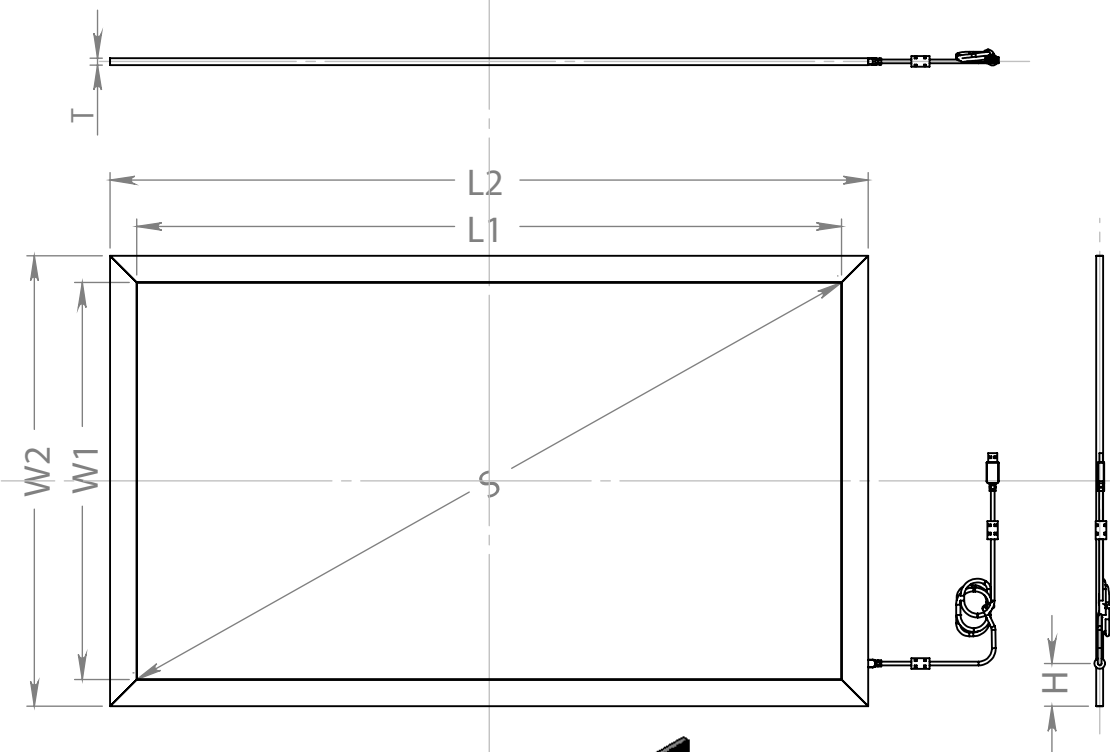
B

C

C

D

D

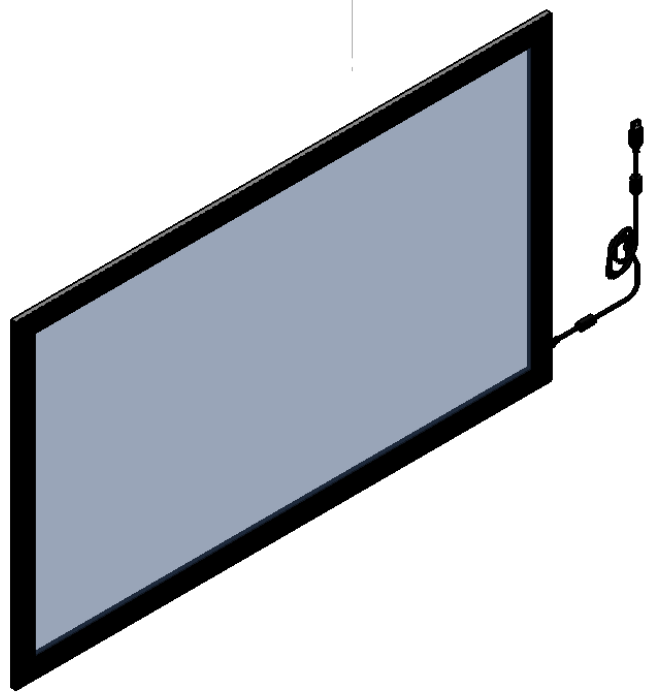


Serie D Dual Toque 47"	
S	47.49"/1206.26
L1	1049.3
L2	1114.1±0.2
W1	595
W2	659.8±0.2
T	7.9
H	



Membranas Touch

Single USB connection, no extra power supply



Title: Membrana Multi-Toque		Projection 					
Material:	Unit:	MM	Date:	Size:	A4	Rev:	
	Censor:		2012.08.21	Serial:	A		

4

3

2

1