

4

3

2

1

A

A

B

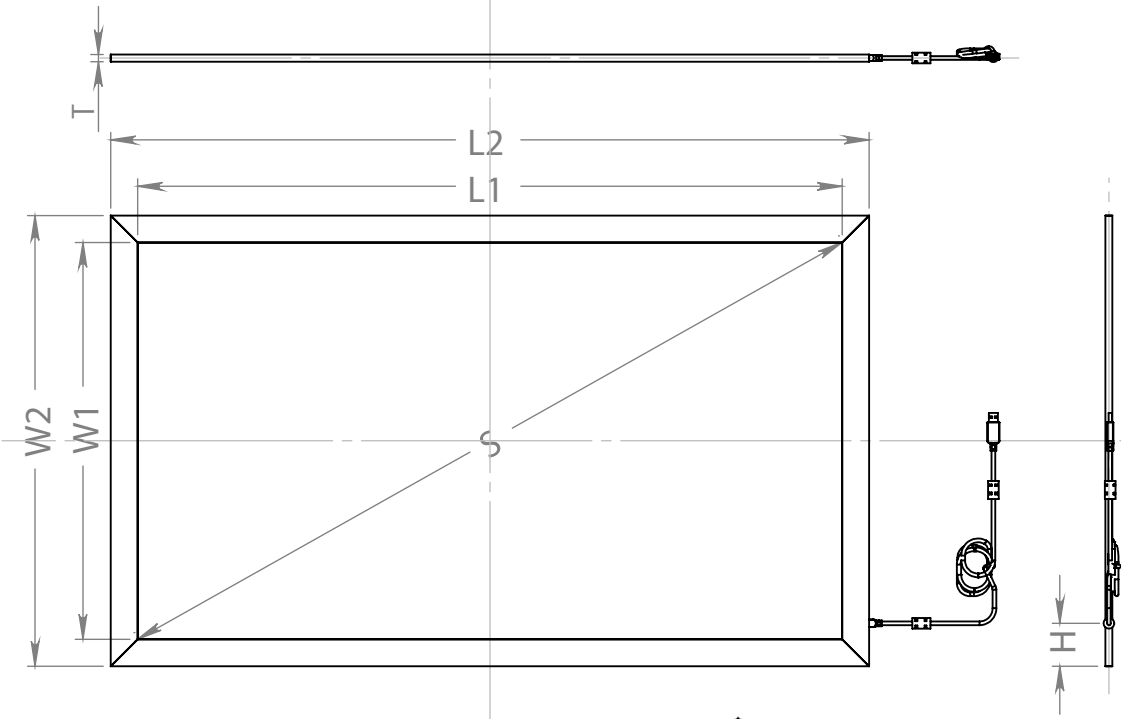
B

C

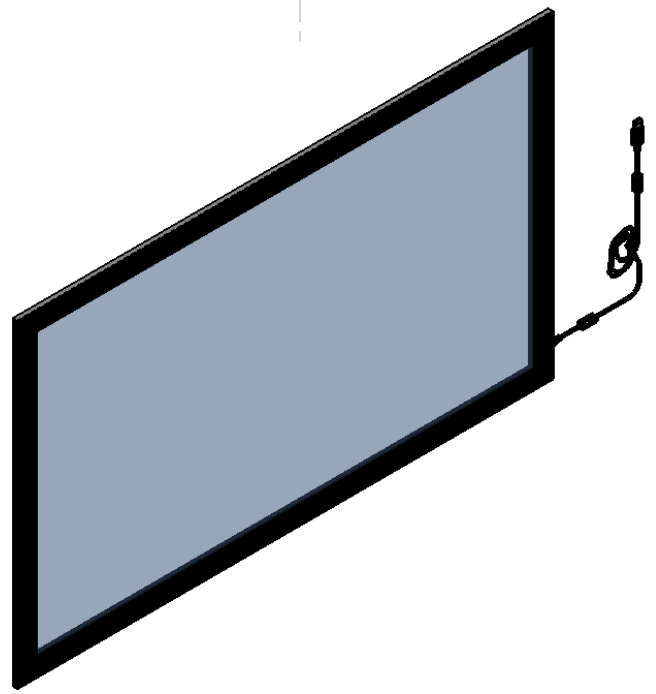
C

D

D



Serie D Dual Toque 52"	
S	52.48"/1332.88
L1	1161.4
L2	1226.2±0.2
W1	654
W2	718.8±0.2
T	7.9
H	



**Membranas Touch**  
Single USB connection, no extra power supply



Title: Membrana Multi-Toque		Projection 					
Material:	Unit:	MM	Date:	Size:	A4	Rev:	
	Censor:		2012.08.21	Serial:	A		

4

3

2

1