

4

3

2

1

A

A

B

B

C

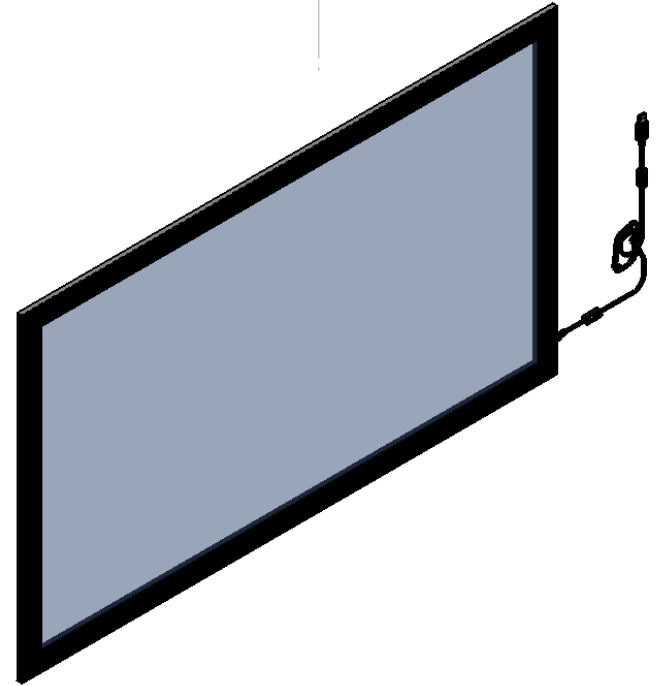
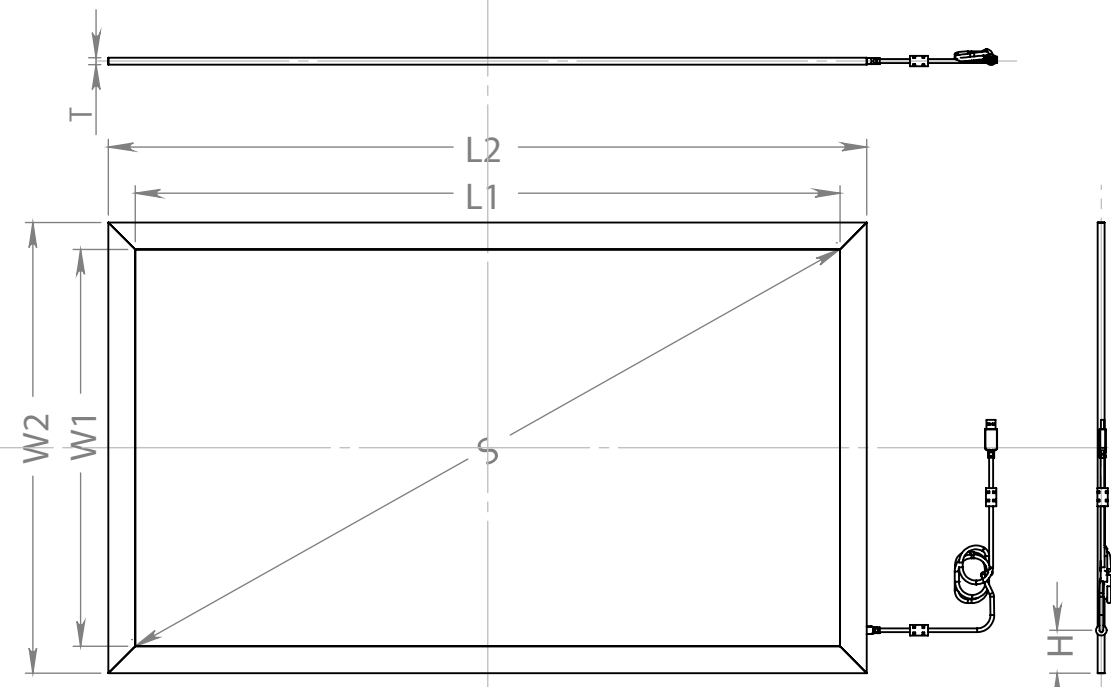
C

D

D

Serie D  
Dual Toque 47"

S	55.39"/1406.8
L1	1226.3
L2	1291.1±0.2
W1	689.4
W2	754.2±0.2
T	7.9
H	



Membranas Touch

Single USB connection, no extra power supply



Title: Membrana Multi-Toque		Projection 					
Material:	Unit:	MM	Date:	Size:	A4	Rev:	
	Censor:		2012.08.21	Serial:	A		

4

3

2

1