

4

3

2

1

A

A

B

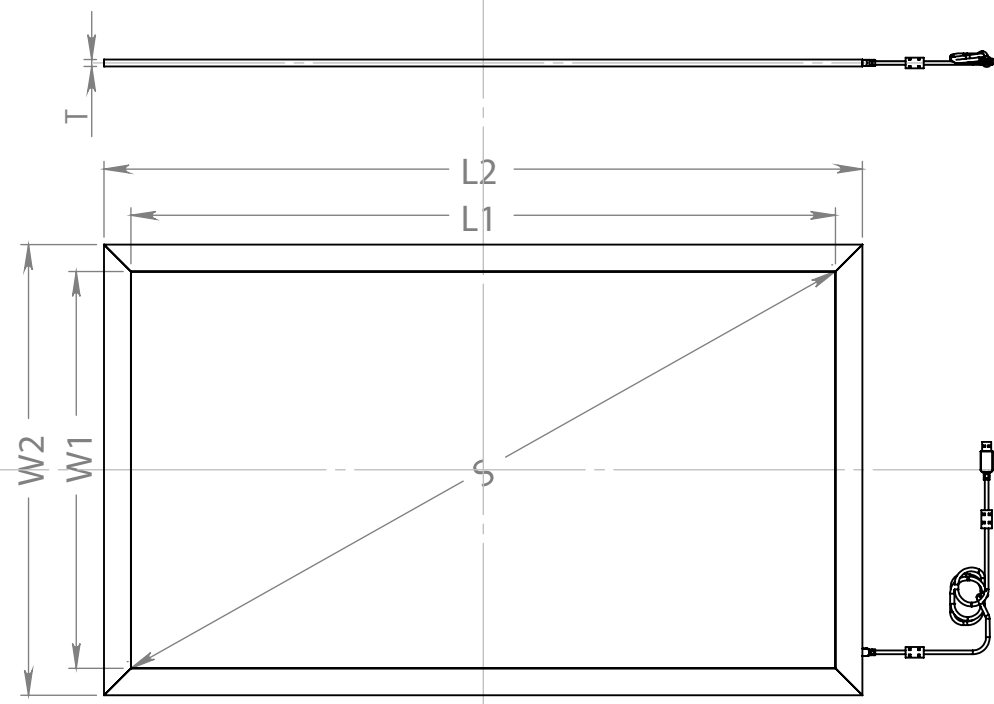
B

C

C

D

D

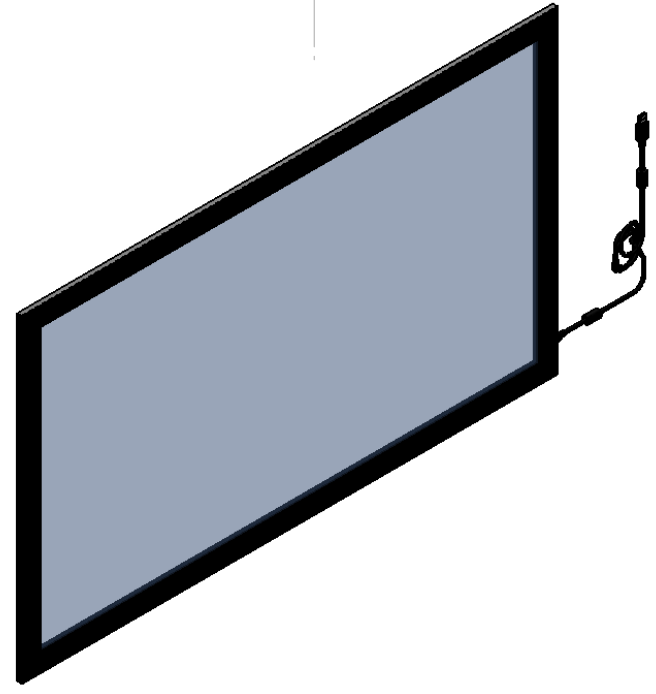


Serie D Dual Toque 65"	
S	65.38"/1660.71
L1	1444.6
L2	1509.4±0.2
W1	819.2
W2	884±0.2
T	7.9
H	



Membranas Touch

Single USB connection, no extra power supply



Title: Membrana Multi-Toque		Projection 					
Material:	Unit:	MM	Date:	Size:	A4	Rev:	
	Censor:		2012.08.21	Serial:	A		

4

3

2

1